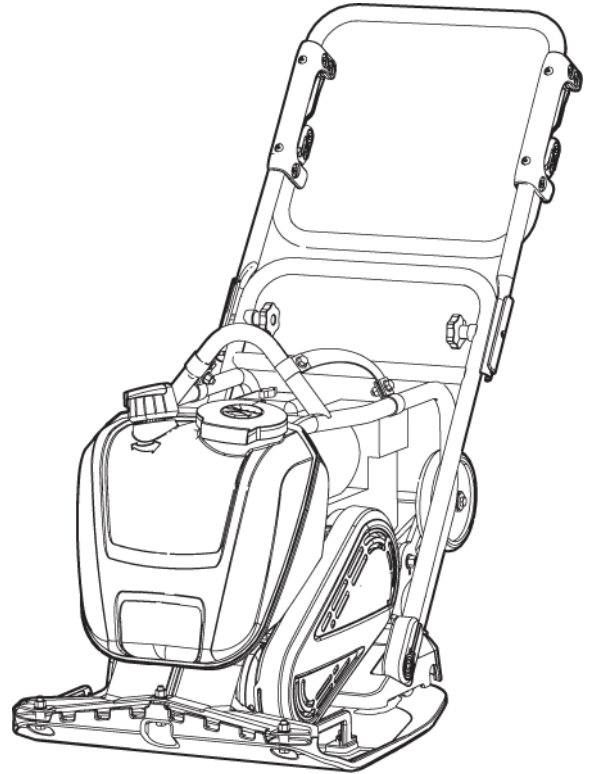


Spare parts list

Forward plate

	Valid from serial number
LF 75 Honda L 420 mm	27608531
LF 75 Honda LAT 420 mm	27608531
LF 75 Honda L 500 mm	27608531
LF 75 Honda LAT 500 mm	27608531
LF 75 Honda L 420 mm	BGF000001
LF 75 Honda LAT 420 mm	BGF000001
LF 75 Honda L 500 mm	BGF000001
LF 75 Honda LAT 500 mm	BGF000001



Contents

General information.....	5
Spare parts list.....	6
Engine plate installation, Honda.....	6
Ground plate installation.....	8
Block paving plate 420 mm (16.5 in.).....	10
Block paving plate 500 mm (19.7 in.).....	12
Lifting handle.....	14
Transport device, old version.....	16
Transport device, new version.....	18
Sprinkler system.....	20
Fork lifting device.....	22
Engine installation, Honda.....	24
Engine, Honda GX 160 T2 SXS4 OH.....	26
Transmission cover, Honda.....	30
Standard handle, old version.....	32
Standard handle for Honda, new version.....	34
Vibration damped handle.....	36
Labels.....	38
Kits.....	40
One year service kit, Honda.....	40
Shock absorber repair kit.....	40
Eccentric element repair kit.....	40
Block paving plate kit 420 mm (16.5 in.).....	41
Block paving plate kit 500 mm (19.7 in.).....	41
Transport device kit.....	42
Sprinkler system kit.....	43
Fork lifting device kit.....	44
Vibration damped handle kit.....	45

General information

This spare parts list applies to the following:

Part number	Description
3382 0000 22	Forward plate LF 75 Honda L 420 mm (16.55 in.)
3382 0000 23	Forward plate LF 75 Honda LAT 420 mm (16.55 in.)
3382 0000 24	Forward plate LF 75 Honda L 500 mm (19.68 in.)
3382 0000 21	Forward plate LF 75 Honda LAT 500 mm (19.68 in.)

Use only authorized parts. Any damage or malfunction caused by the use of unauthorized parts is not covered by Warranty or Product Liability. Any unauthorized use or copying of the contents or any part thereof is prohibited. This applies in particular to trademarks, model denominations, part numbers, and drawings.

Instructions for use

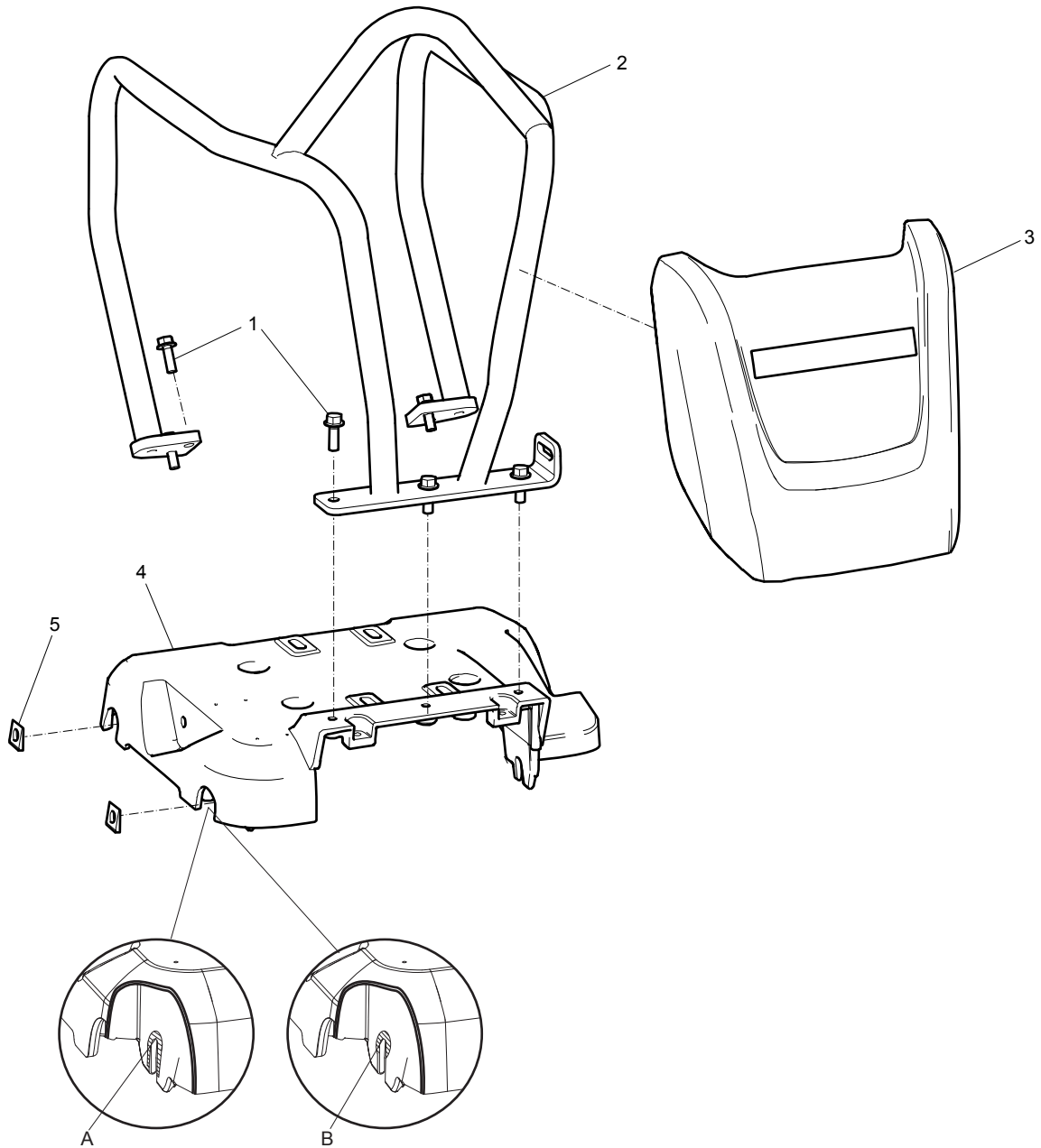
This spare parts list contains no safety regulations and is merely intended to assist in the ordering of spare parts.

For information about operating, servicing, or repairing, the relevant Safety and operating instructions must be consulted at all costs.

Please observe the safety instructions listed in the relevant Safety and operating instructions!

Spare parts list

Engine plate installation, Honda

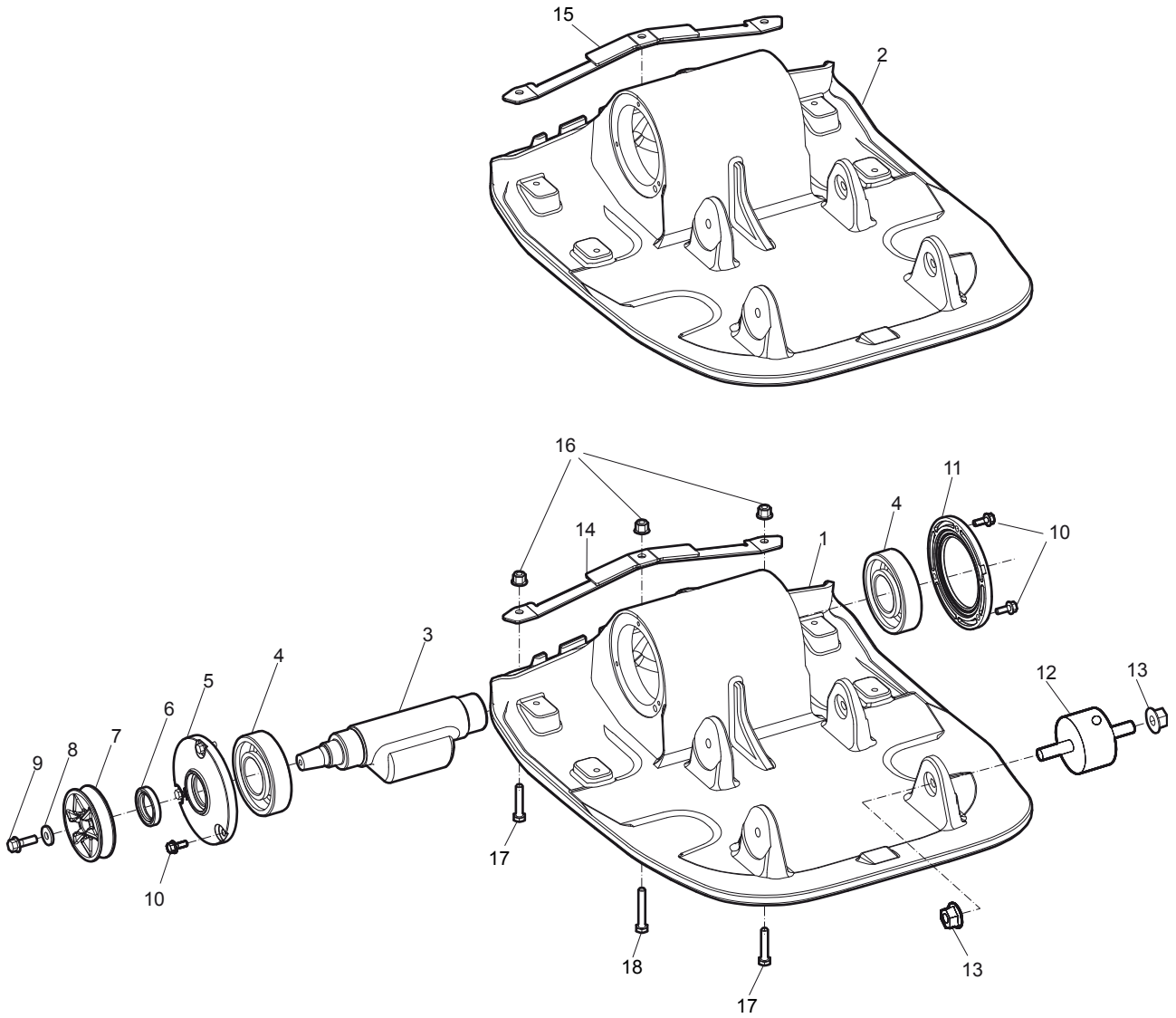


No.	Description	Remark	Quantity	Part number
1	Screw	M8 x 25 mm 8.8 A2K	7	-
2	Protective frame		1	3382 0101 26
3	Cover		1	3382 0101 32
4	Engine plate		1	3382 0101 35
5	Square taper washer	For engine plate with flat machined contact surface for washers.	2	4700 7927 25

A: Flat machined surface.

B: Round machined surface.

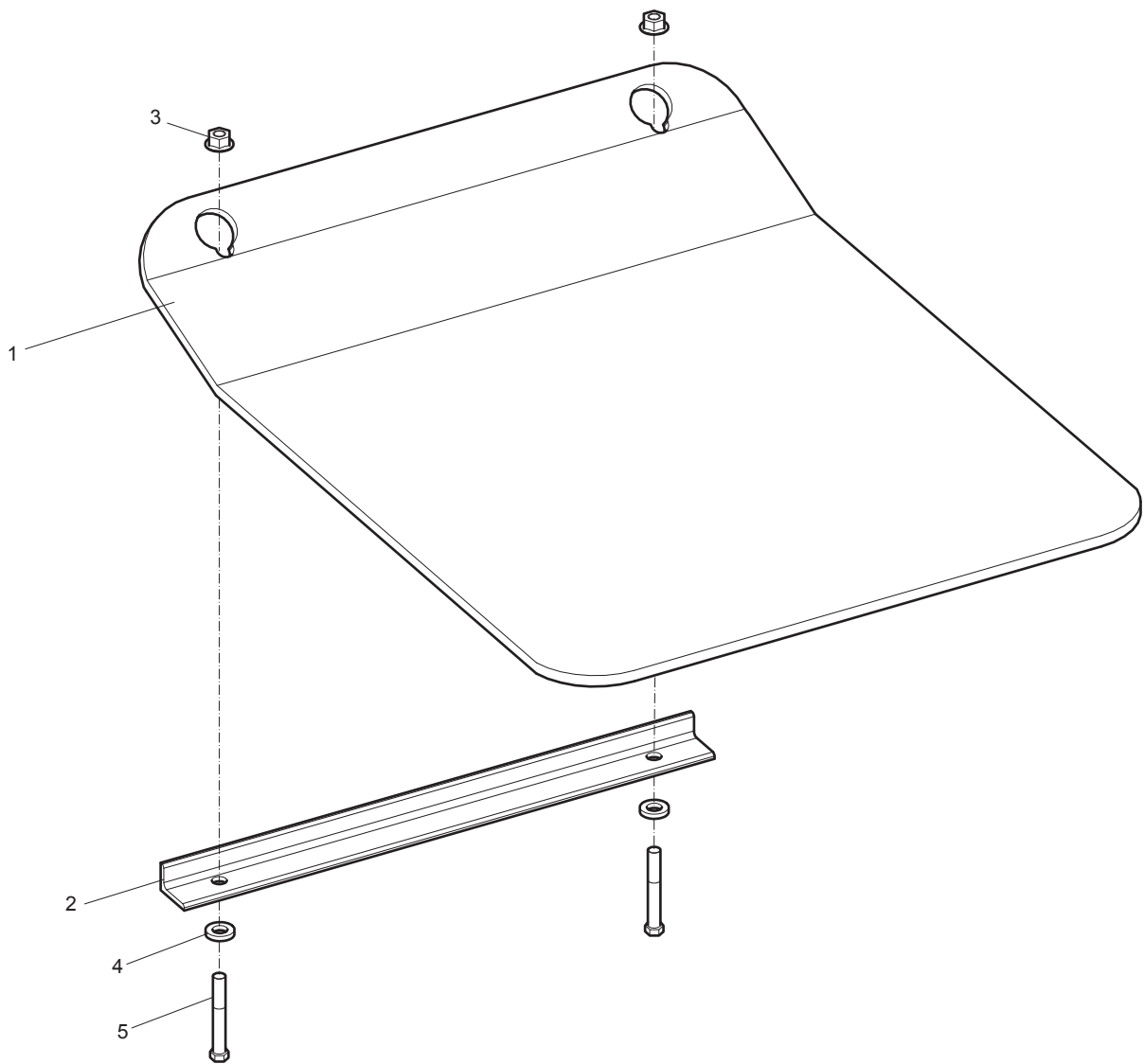
Ground plate installation



No.	Description	Remark	Quantity	Part number
1	Ground plate	420 mm 16.5 in.	1	4812 0704 52
2	Ground plate	500 mm 19.7 in.	1	4812 0704 47
3	Eccentric shaft		1	4812 0700 58
4	Ball bearing		2	4700 7927 11
5	Cover		1	4700 3965 48
6	Lip-type oil seal		1	4700 1631 05
7	V-belt pulley		1	4700 3950 13
8	Washer	8.4 x 22 x 3 mm 300HV 0.33 x 0.87 x 0.12 in. 300 HV	1	-
9	Screw	M8 x 25 mm 8.8 A2K	1	-
10	Screw	M6 x 16 mm 8.8 A2K	6	-
11	Cover		1	4700 3965 49
12	Shock absorber		4	4700 2823 73
13	Nut	M10 x 1.5 mm GEOMET®	8	4700 5701 03
14	Sprinkler bar	420 mm 16.5 in.	1	4812 0706 64
15	Sprinkler bar	500 mm 19.7 in.	1	4812 0706 63
16	Lock nut	M8 x 1.25 mm A2K	3	-
17	Screw	M8 x 55 mm 8.8 A2K	2	-
18	Screw	M8 x 45 mm 8.8 A2K	1	-

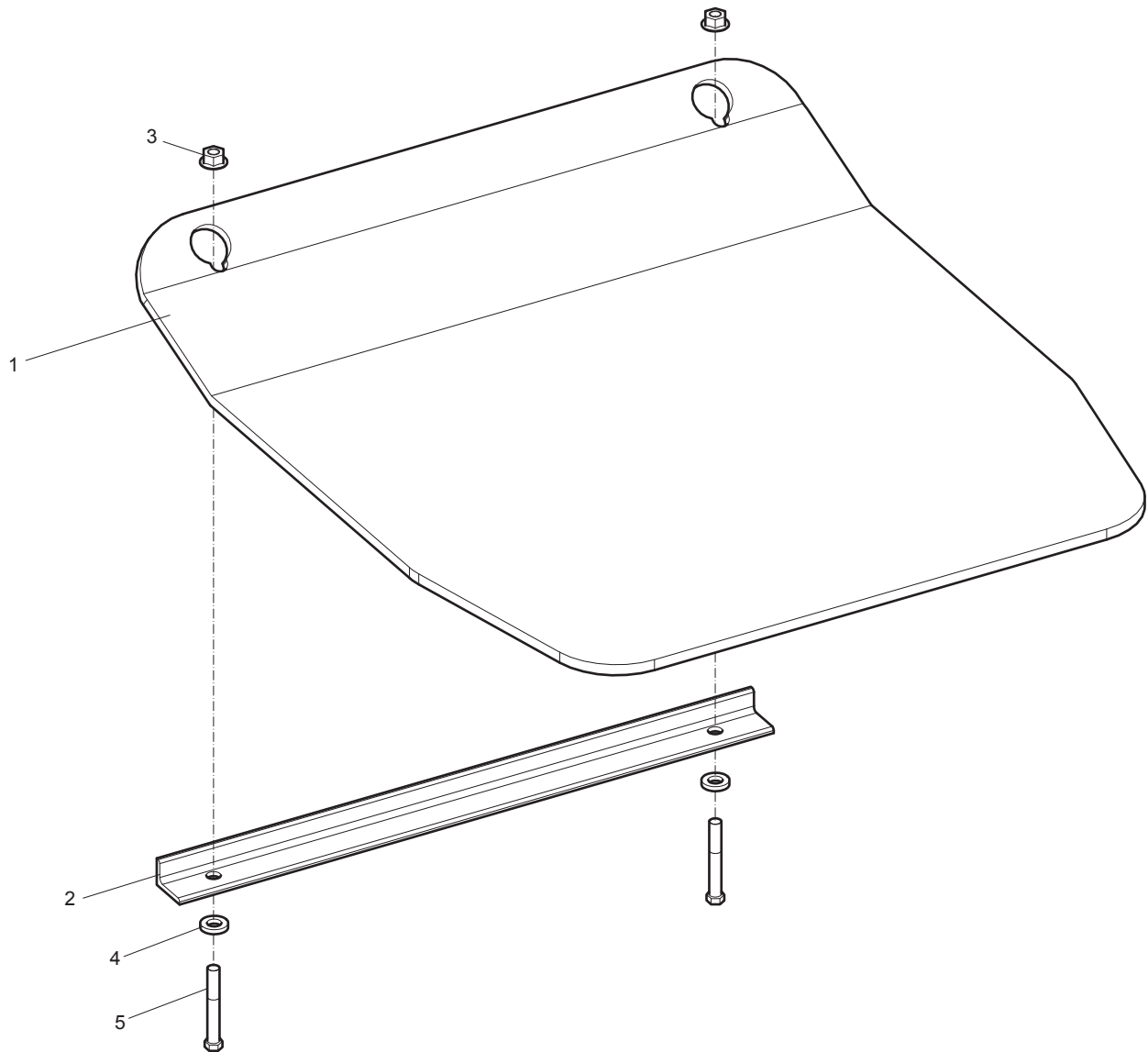
GEOMET is a registered trademark of Nof Metal Coatings North America Inc.

Block paving plate 420 mm (16.5 in.)



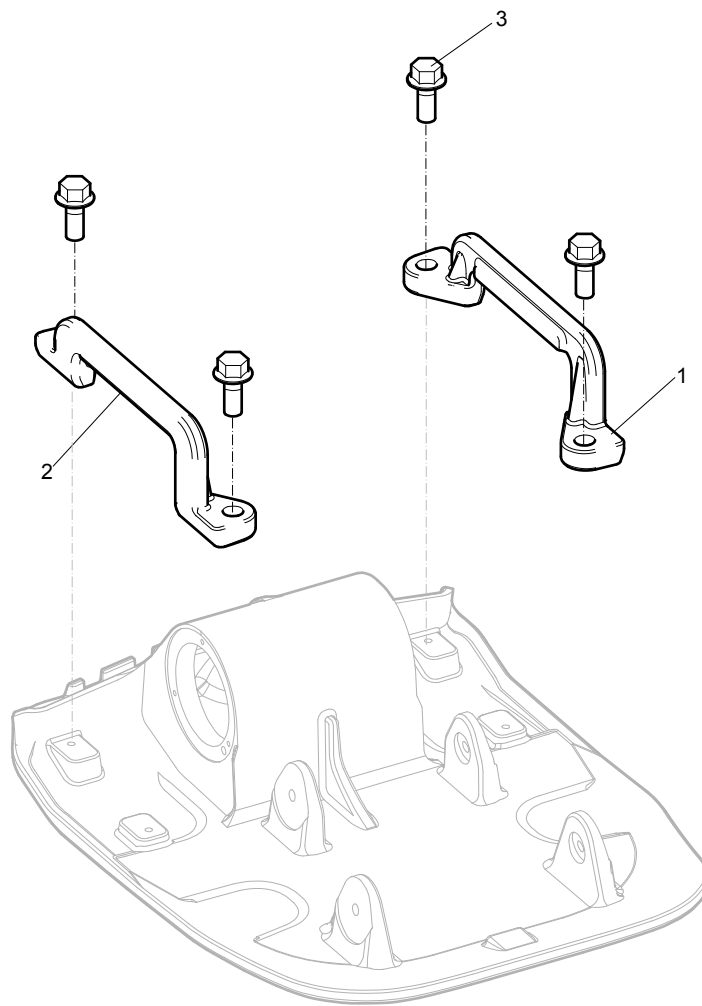
No.	Description	Remark	Quantity	Part number
1	Polyurethane plate	420 mm 16.5 in.	1	4700 3940 43
2	Bracket	30 x 20 x 4 mm 1.18 x 0.79 x 0.16 in.	1	4700 3940 44
3	Hexagon flange nut	M8 x 1.25 mm A2K	2	-
4	Washer	8.4 x 16 x 1.5 mm 0.33 x 0.63 x 0.06 in. 300 HV	2	-
5	Hexagon head screw	M8 x 75 mm 8.8	2	-

Block paving plate 500 mm (19.7 in.)



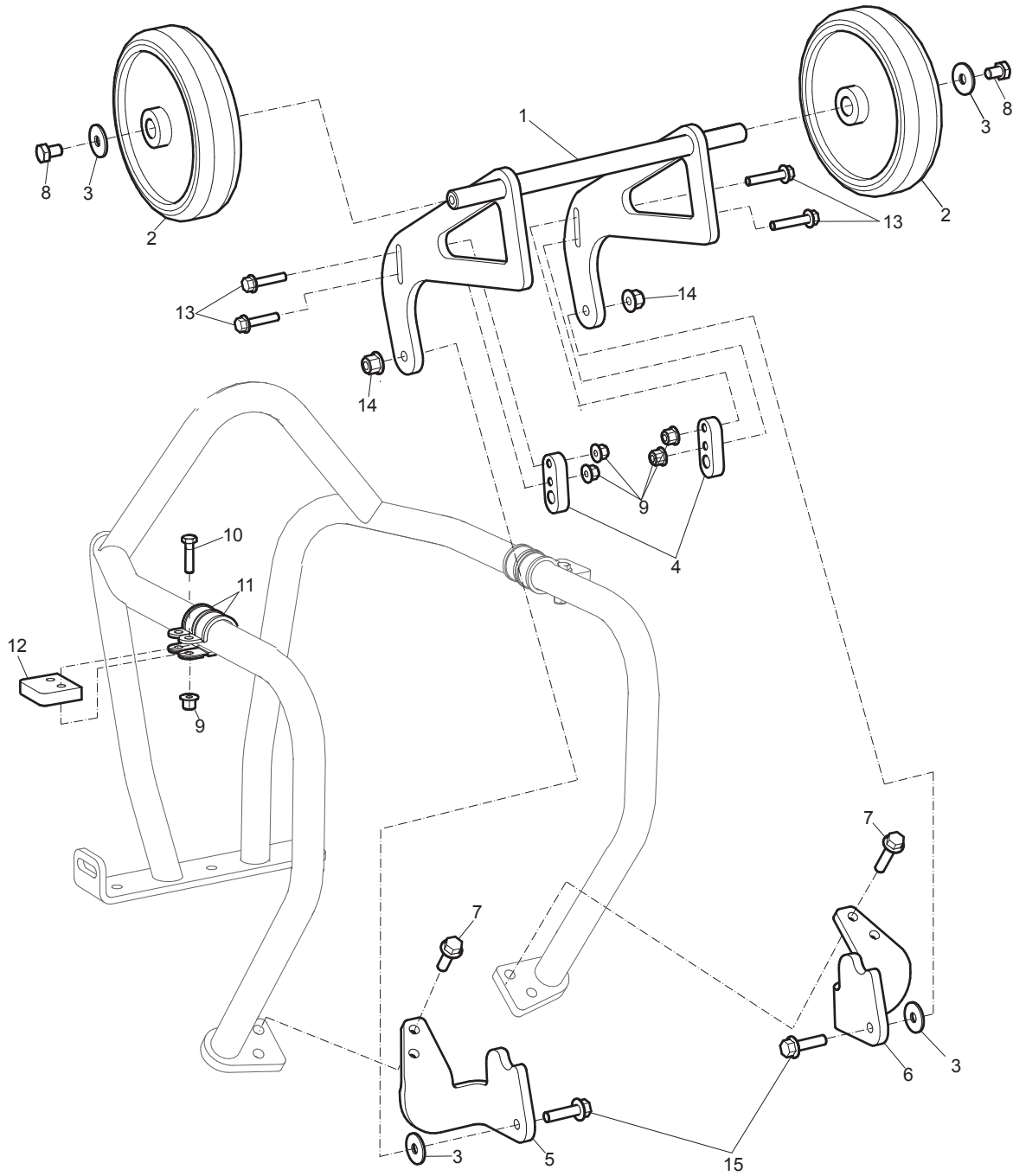
No.	Description	Remark	Quantity	Part number
1	Polyurethane plate	500 mm 19.7 in.	1	4700 3940 46
2	Bracket		1	4700 3940 47
3	Nut	M8 x 1.25 mm A2K	2	-
4	Washer	8.4 x 16 x 1.5 mm 300 HV 0.33 x 0.63 x 0.06 in. 300 HV	2	-
5	Screw	M8 x 75 mm 8.8	2	-

Lifting handle



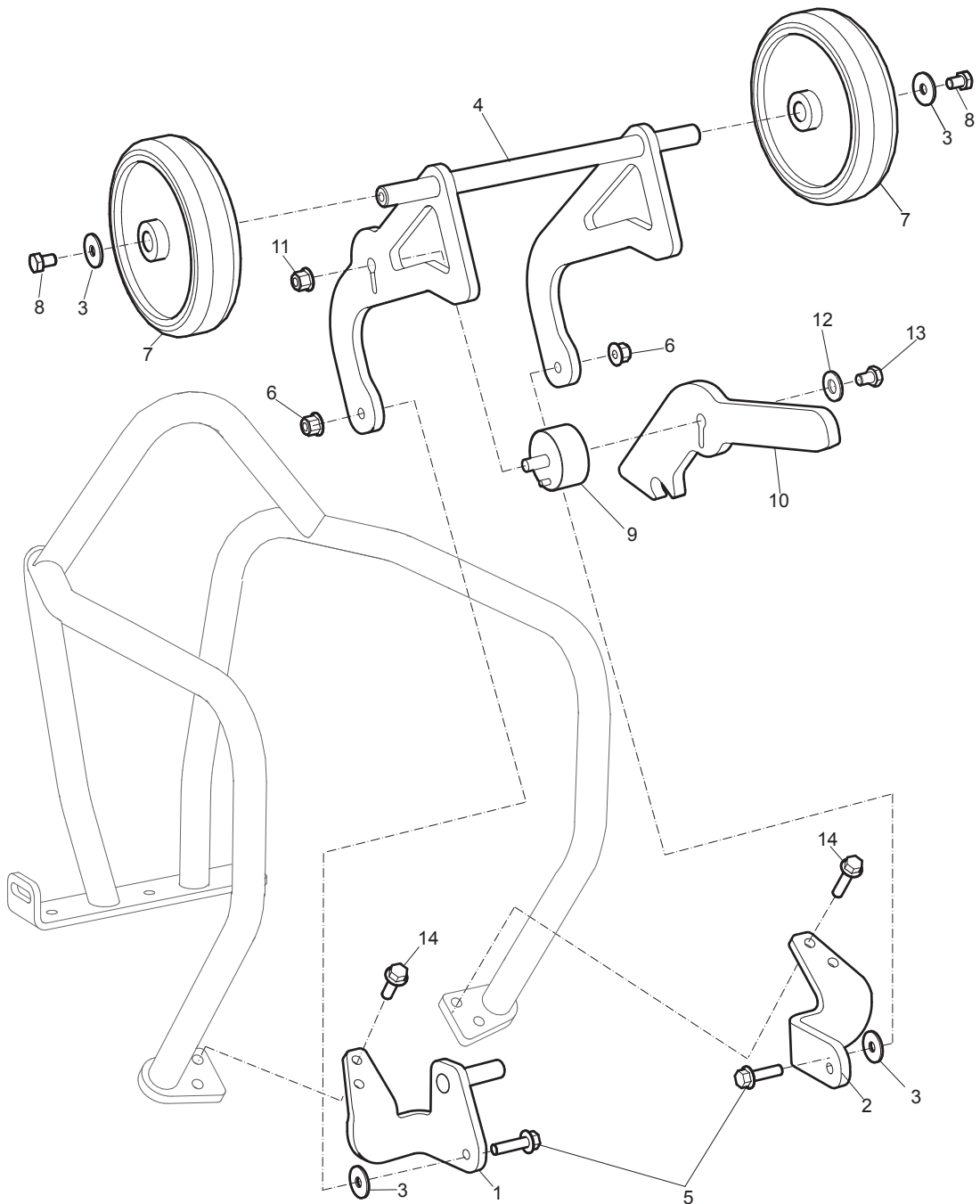
No.	Description	Remark	Quantity	Part number
1	Handle	Right	1	4700 3950 18
2	Handle	Left	1	4700 3950 20
3	Screw	M8 x 20 mm 8.8 A2K	4	-

Transport device, old version



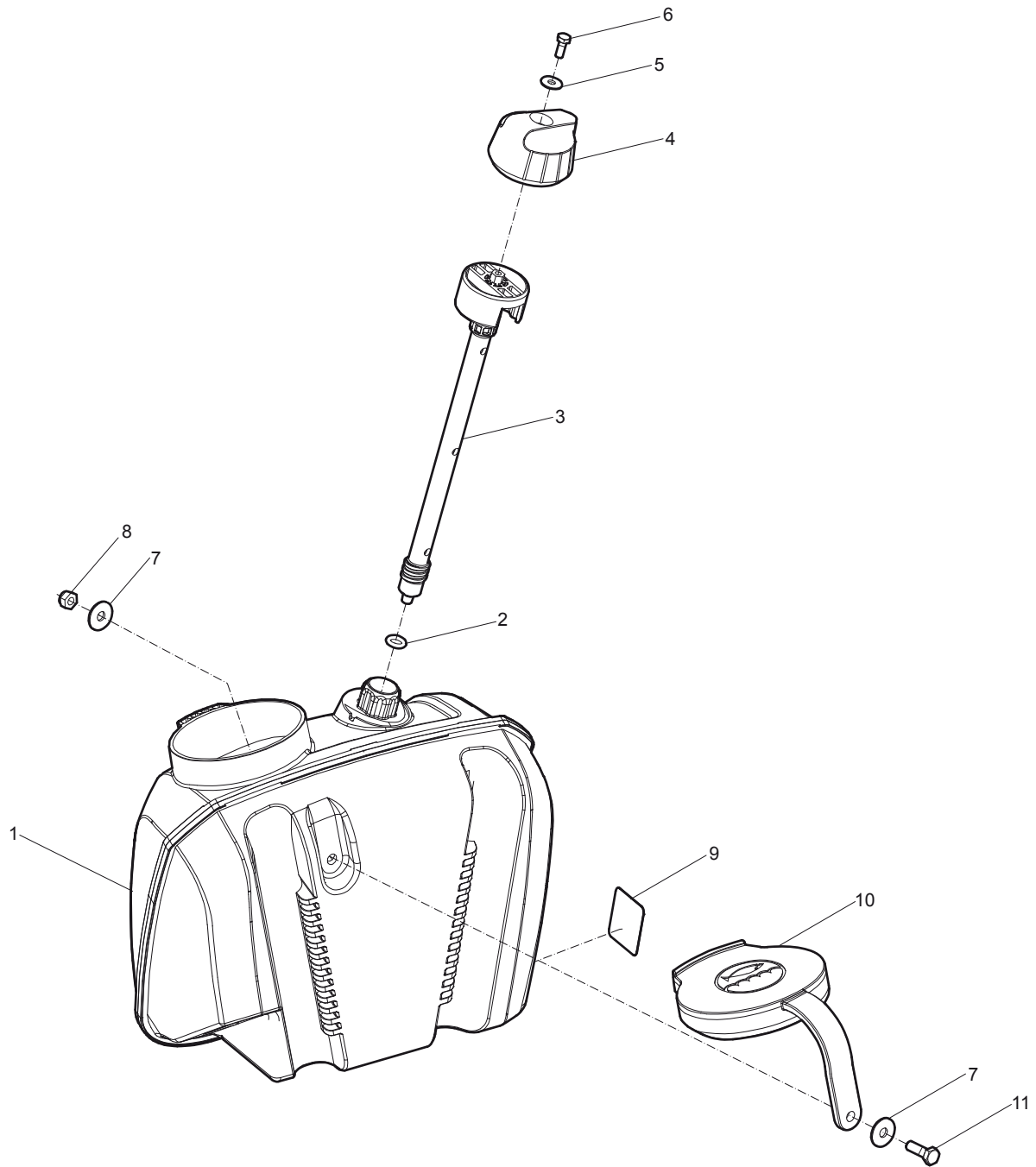
No.	Description	Remark	Quantity	Part number
1	Fork		1	3382 0101 41
2	Wheel		2	4700 3835 82
3	Washer	8.4 x 25 x 2 mm 0.33 x 0.98 x 0.08 in.	4	-
4	Lock		2	4700 3941 03
5	Bracket	Left	1	3382 0101 39
6	Bracket	Right	1	3382 0101 40
7	Screw	M8 x 35 mm 8.8	4	-
8	Screw	M8 x 12 mm 8.8 A2K	2	-
9	Nut	M 6	8	-
10	Screw	M6 x 25 mm 8.8 FZB	4	-
11	Pipe clamp		4	4700 9210 28
12	Stop		2	4812 0702 10
13	Screw	M6 x 30 mm 8.8 A2K	4	-
14	Lock nut	M8 x 1.25 mm A2K	2	-
15	Screw	M8 x 30 mm 8.8 A2K	2	-

Transport device, new version



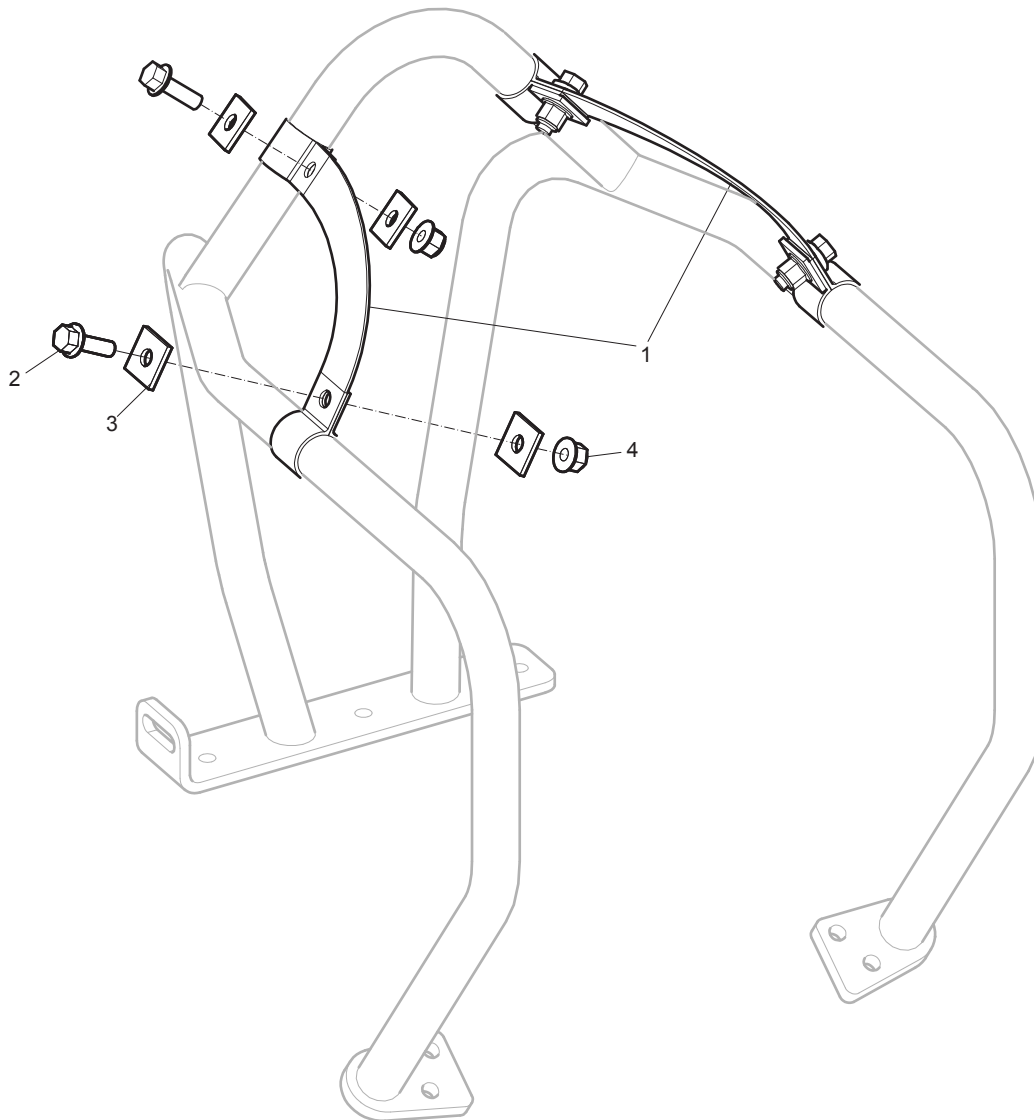
No.	Description	Remark	Quantity	Part number
1	Bracket	left	1	4812 0703 94
2	Bracket	Right	1	4812 0703 96
3	Washer	8.4 x 25 x 2 mm 0.33 x 0.98 x 0.08 in.	4	-
4	Fork		1	4812 0703 95
5	Screw	M8 x 30 mm 8.8 A2K	2	-
6	Nut	M8 A2K	2	-
7	Wheel		2	4700 3835 82
8	Screw	M8 x 12 mm 8.8 A2K	2	-
9	Shock absorber		1	4700 3853 87
10	Hook		1	4812 0704 71
11	Nut	M10	1	-
12	Washer	10.5 x 22 x 2 mm 0.41 x 0.87 x 0.08 in.	1	-
13	Screw	10 x 20 mm 8.8	1	-
14	Screw	M8 x 35 mm 8.8	4	-

Sprinkler system



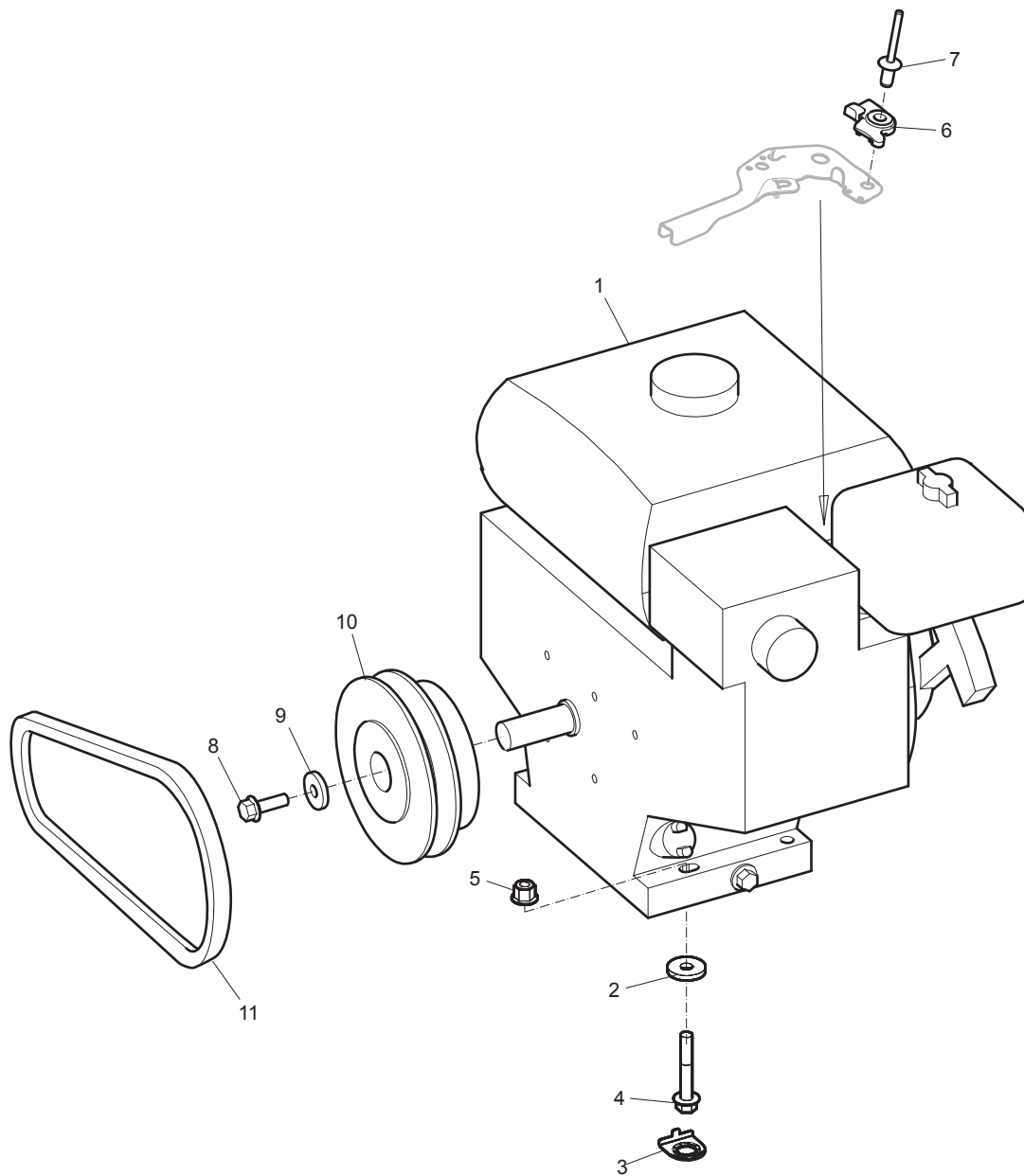
No.	Description	Remark	Quantity	Part number
1	Water tank		1	3382 0101 25
2	O-ring	8 x 3 mm 0.31 x 0.12 in. (70 shore)	1	4700 7928 04
3	Valve rod		1	4700 3930 20
4	Handle		1	4700 3920 73
5	Washer	6.4 x 18 x 1.6 mm 0.25 x 0.71 x 0.06 in.	1	-
6	Screw	M6 x 16 mm 8.8 A2K	1	-
7	Washer	8.4 x 25 x 2 mm 0.33 x 0.98 x 0.08 in.	2	-
8	Lock nut	M8 -8 DIN 985	1	-
9	Label		1	4700 3933 81
10	Cap		1	4700 3920 92
11	Screw	M8 x 25 mm 8.8 A2K	1	-

Fork lifting device



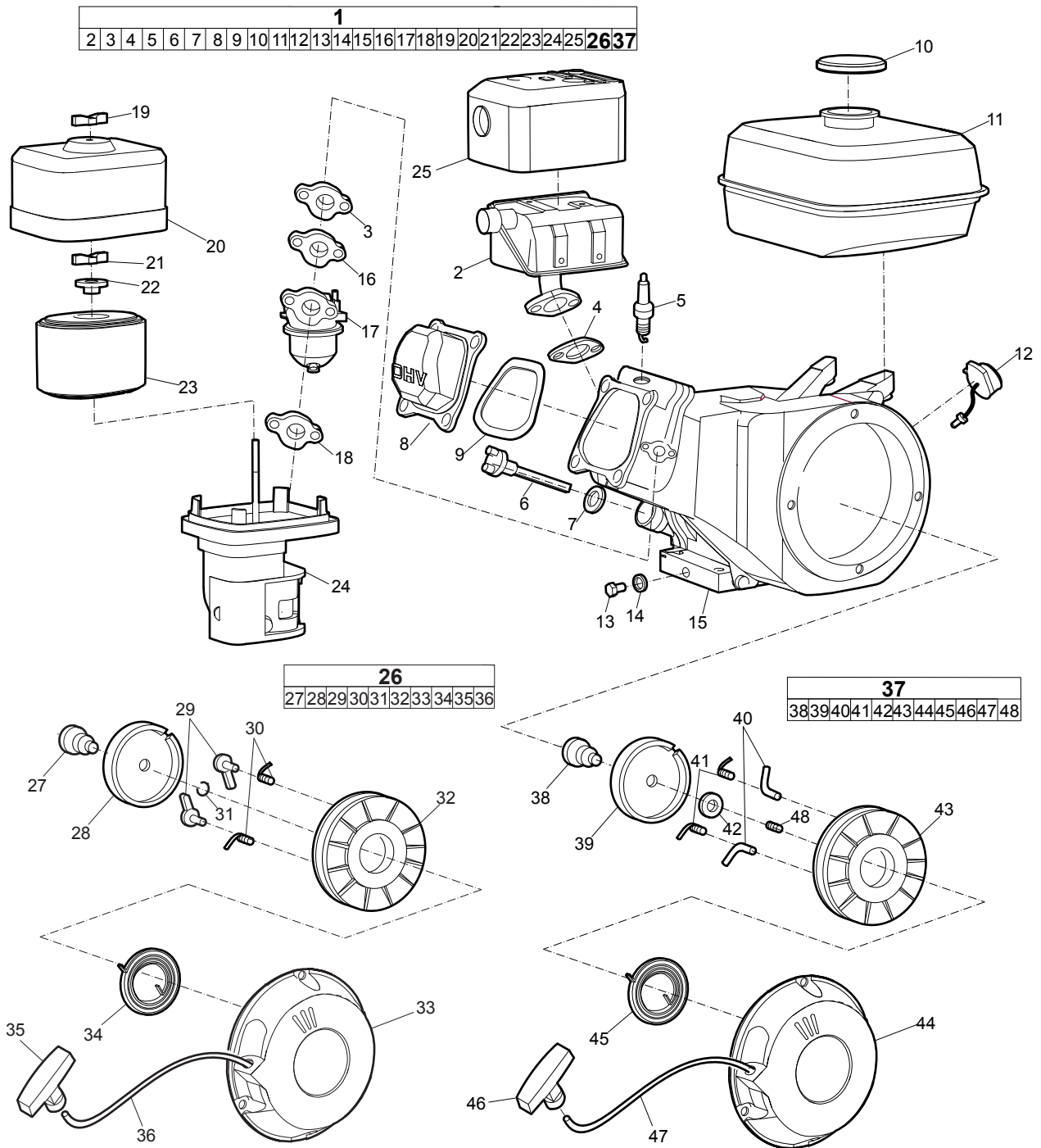
No.	Description	Remark	Quantity	Part number
1	Lifting eye		2	4700 3961 94
2	Screw	M8 x 25 mm 8.8 A2K	4	-
3	Washer	9 x 25 x 3 mm 0.35 x 0.98 x 0.12 in.	8	-
4	Lock nut	M8 x 1.25 mm A2K	4	-

Engine installation, Honda



No.	Description	Remark	Quantity	Part number
1	Engine	Honda GX160UT2 SXS4 SD	1	4700 2811 25
2	Washer	8.4 x 26 x 4 mm 0.33 x 1.02 x 0.16 in. 300 HV	4	-
3	Washer		4	4700 3939 03
4	Screw	M8 x 50 mm 8.8 A2K	4	-
5	Lock nut	M8 x 1.25 mm A2K	4	-
6	Stiffener		1	4700 3961 26
7	Blind rivet	6.4 x 12 mm 0.25 x 0.47 in.	1	-
8	Screw	M8 x 25 mm 8.8 A2K	1	-
9	Washer	8.4 x 26 x 4 mm 0.33 x 1.02 x 0.16 in. 300 HV	1	-
10	Centrifugal clutch		1	4700 3917 06
11	V-belt		1	4700 3956 58

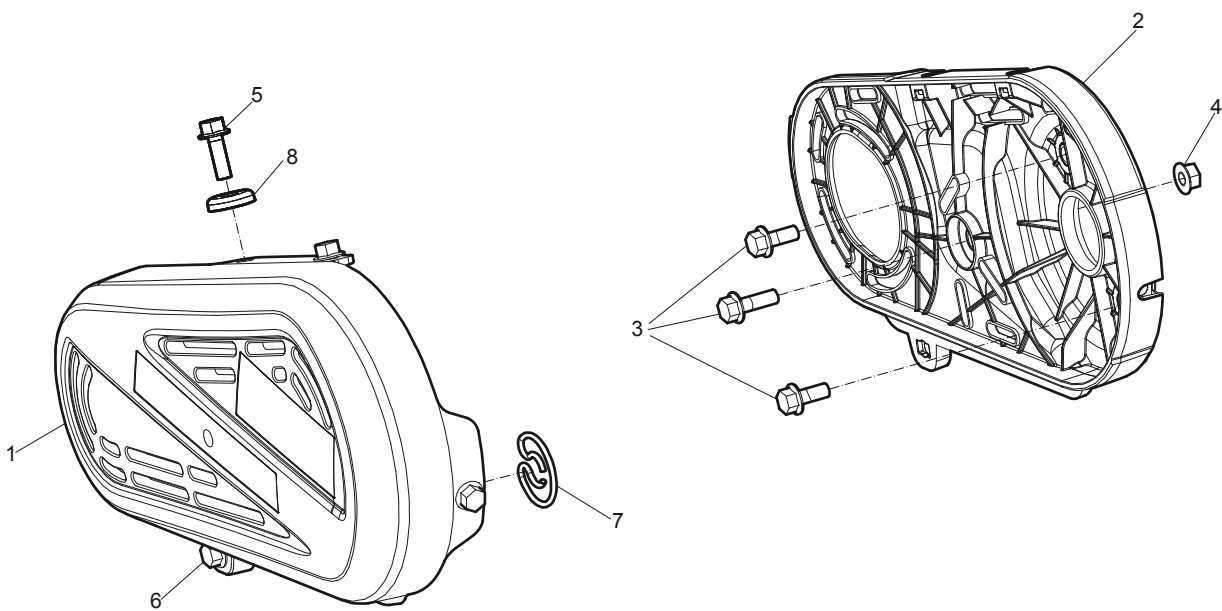
Engine, Honda GX 160 T2 SXS4 OH



No.	Description	Remark	Quantity	Part number
1(2-25,26,37)	Engine, complete		1	4700 2811 25
2	Silencer		1	3382 1001 63
3	Gasket		1	3382 1001 68
4	Gasket		1	4700 2390 63
5	Spark plug		1	3382 1001 67
6	Oil dip stick		1	3382 1001 65
7	Gasket		1	3382 1001 66
8	Valve cover		1	4700 9379 17
9	Valve cover gasket		1	4700 2383 01
10	Fuel cap		1	3382 1001 74
11	Fuel tank		1	3382 1001 73
12	Engine switch		1	3382 1001 72
13	Oil plug		1	4700 2383 02
14	Gasket		1	4700 2383 03
15	Engine part		1	-
16	Gasket		1	4700 9370 49
17	Carburetor		1	3382 1001 64
18	Spacer		1	4700 9396 59
19	Wing nut		1	4700 2397 71
20	Air filter cover		1	4700 2396 85
21	Wing nut		1	4700 2397 71
22	Grommet		1	4700 2397 72
23	Airfilter	Delivered with outer and inner filter.	1	4700 2393 23
24	Air filter housing		1	4700 9382 30
25	Silencer cover		1	4700 2390 60
26(27-36)	Recoil starter, complete	Valid up to engine serial number 1411005. Red	1	4700 2390 65
27	Adjustment screw		1	4700 2393 81
28	Guide		1	4700 2393 80
29	Ratchet	Valid up to engine serial number 1411005.	2	4700 2393 78
30	Spring		2	4700 2393 77
31	Friction spring	Valid up to engine serial number 1411005.	1	4700 2393 79
32	Reel		1	4700 2393 76
33	Housing		1	-
34	Spring		1	4700 2393 75
35	Handle		1	4700 2393 91
36	Rope		1	4700 2393 74
37(38-48)	Recoil starter, complete	Valid from engine serial number 1411006. Black	1	3382 1001 76
38	Adjustment screw	Valid from engine serial number 1411006.	1	3382 1001 77
39	Guide		1	4700 2393 80
40	Ratchet	Valid from engine serial number 1411006.	2	3382 1001 69
41	Spring		2	4700 2393 77
42	Washer	Valid from engine serial number 1411006.	1	3382 1001 70
43	Reel	Valid from engine serial number 1411006.	1	3382 1001 71
44	Housing		1	-
45	Spring		1	4700 2393 75
46	Handle		1	4700 2393 91

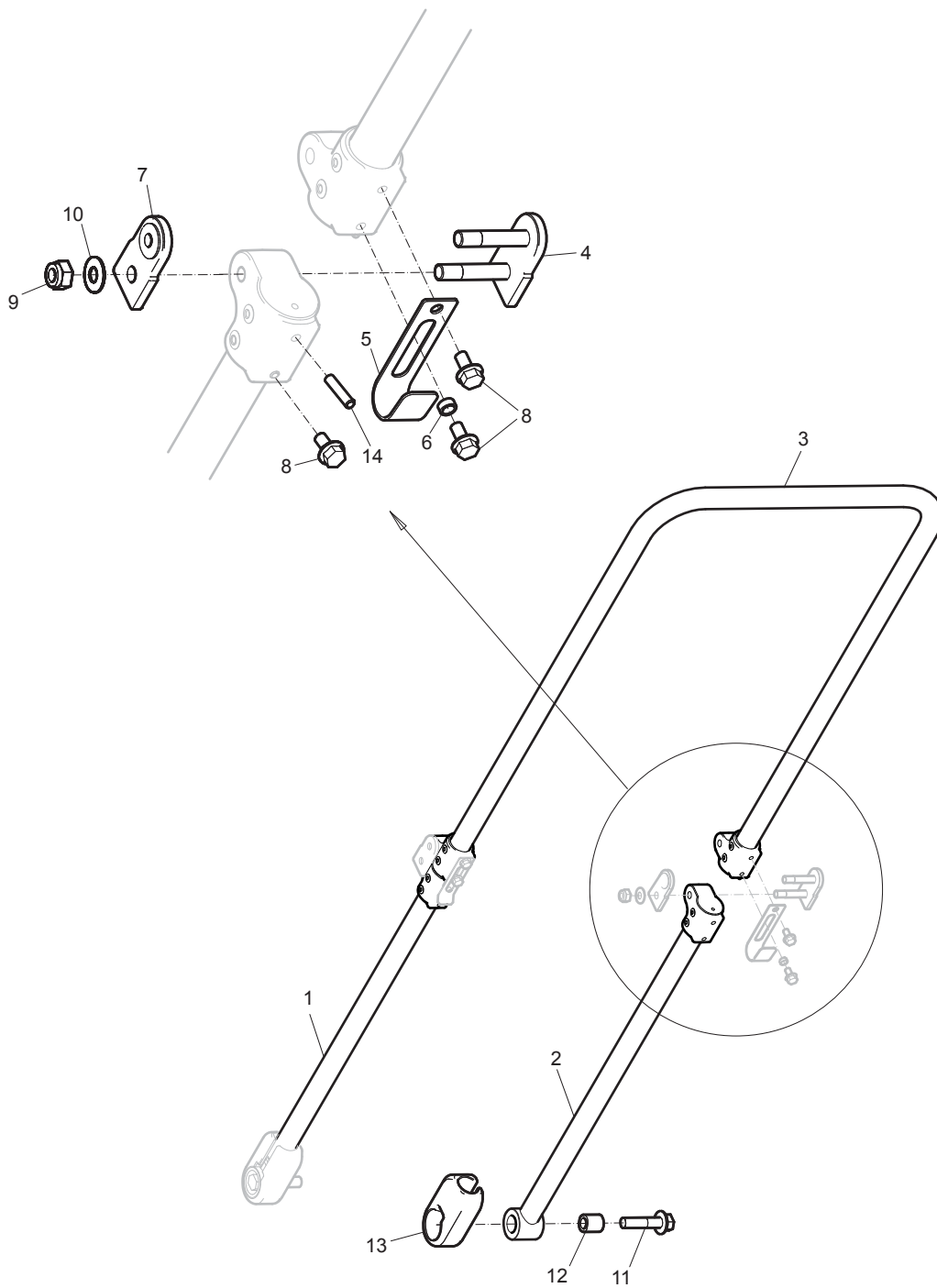
No.	Description	Remark	Quantity	Part number
47	Rope		1	4700 2393 74
48	Spring	Valid from engine serial number 1411006.	1	3382 1001 75

Transmission cover, Honda



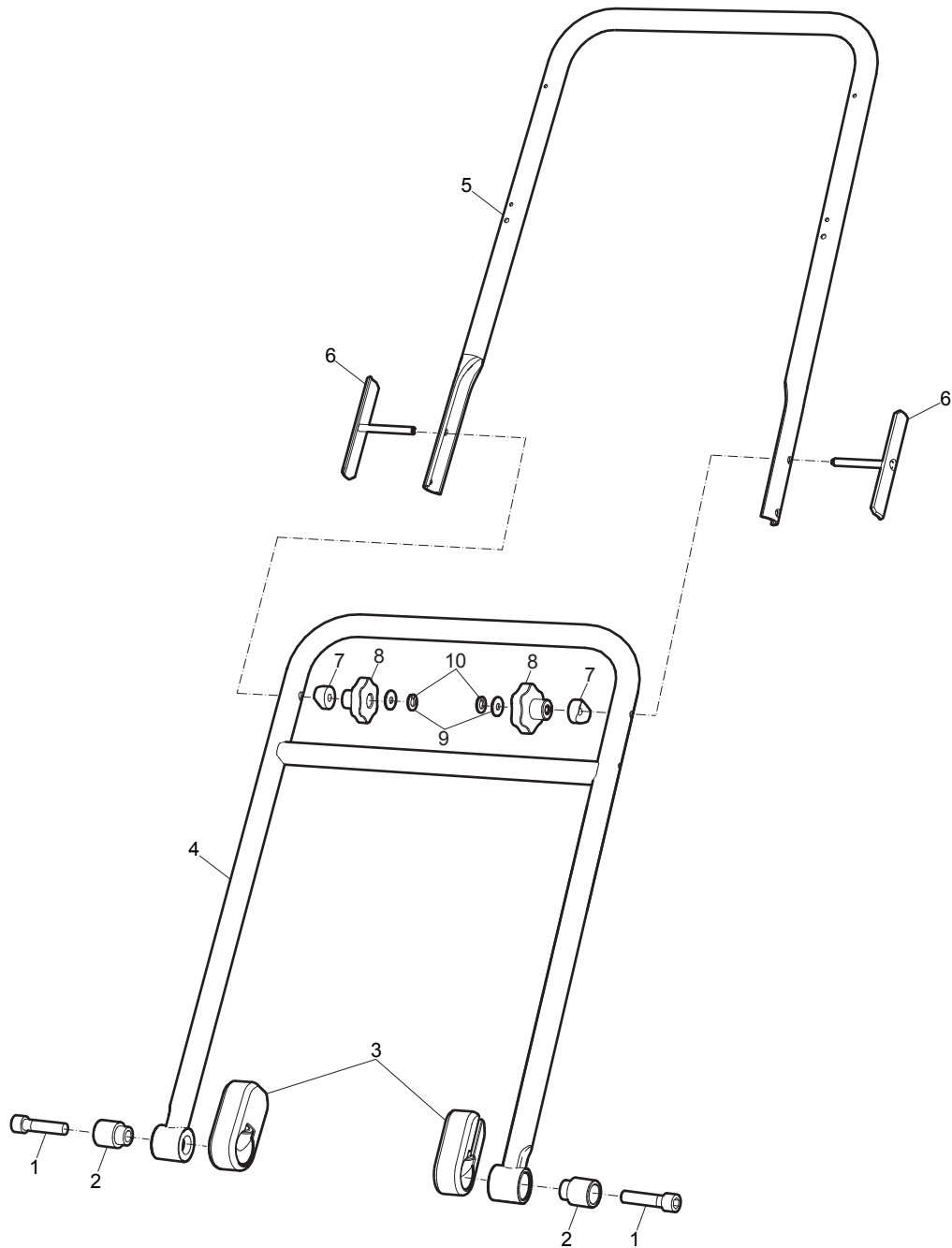
No.	Description	Remark	Quantity	Part number
1	Belt guard	Outer	1	3382 0101 30
2	Belt guard	Inner	1	4700 3933 25
3	Screw	M8 x 25 mm 8.8 A2K	3	-
4	Nut	M8 x 1.25 mm A2K	1	-
5	Screw	M8 x 30 mm 8.8 A2K	3	-
6	Screw		1	4812 0703 68
7	Lock spring		1	4812 0704 31
8	Washer		3	4812 0703 64

Standard handle, old version



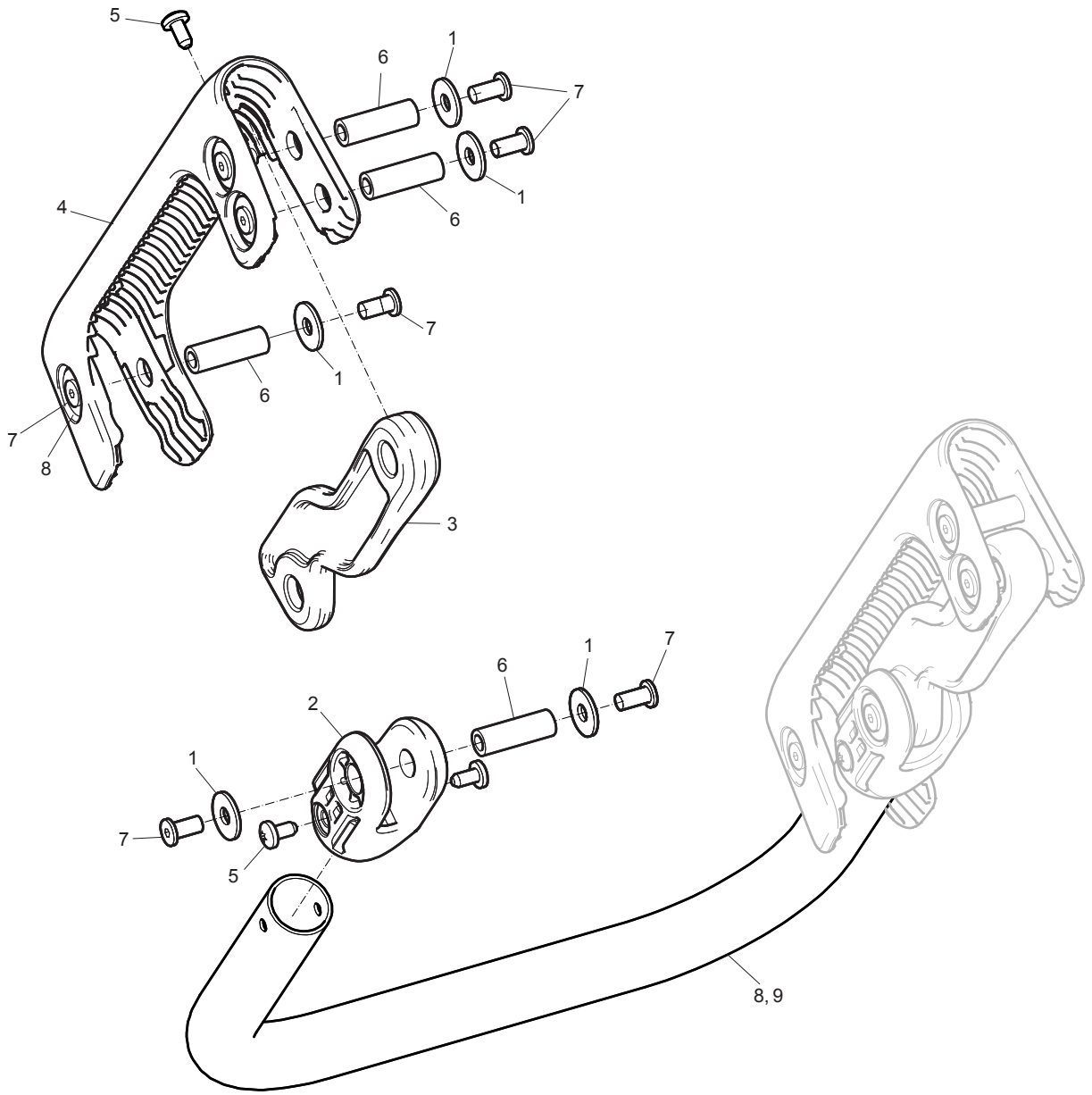
No.	Description	Remark	Quantity	Part number
1	Handle	Left	1	3382 0101 20
2	Handle	Right	1	3382 0101 21
3	Handle		1	3382 0101 22
4	Link		2	4700 3932 20
5	Cover		2	4700 3940 29
6	Spacer sleeve		2	4700 3941 45
7	Washer		2	4700 3942 28
8	Screw	M6 x 40 mm A2K	6	-
9	Lock nut	M8 -8 DIN 985	4	-
10	Disc spring	18 x 8.2 x 1 mm 0.71 x 0.32 x 0.04 in.	4	-
11	Screw	M12 x 50 mm 8.8 A3K	2	-
12	Sleeve bearing		2	4700 3918 21
13	Shock absorber		2	4700 3918 22
14	Spirol pin	5 x 25 mm 0.20 x 0.98 in.	2	-

Standard handle for Honda, new version



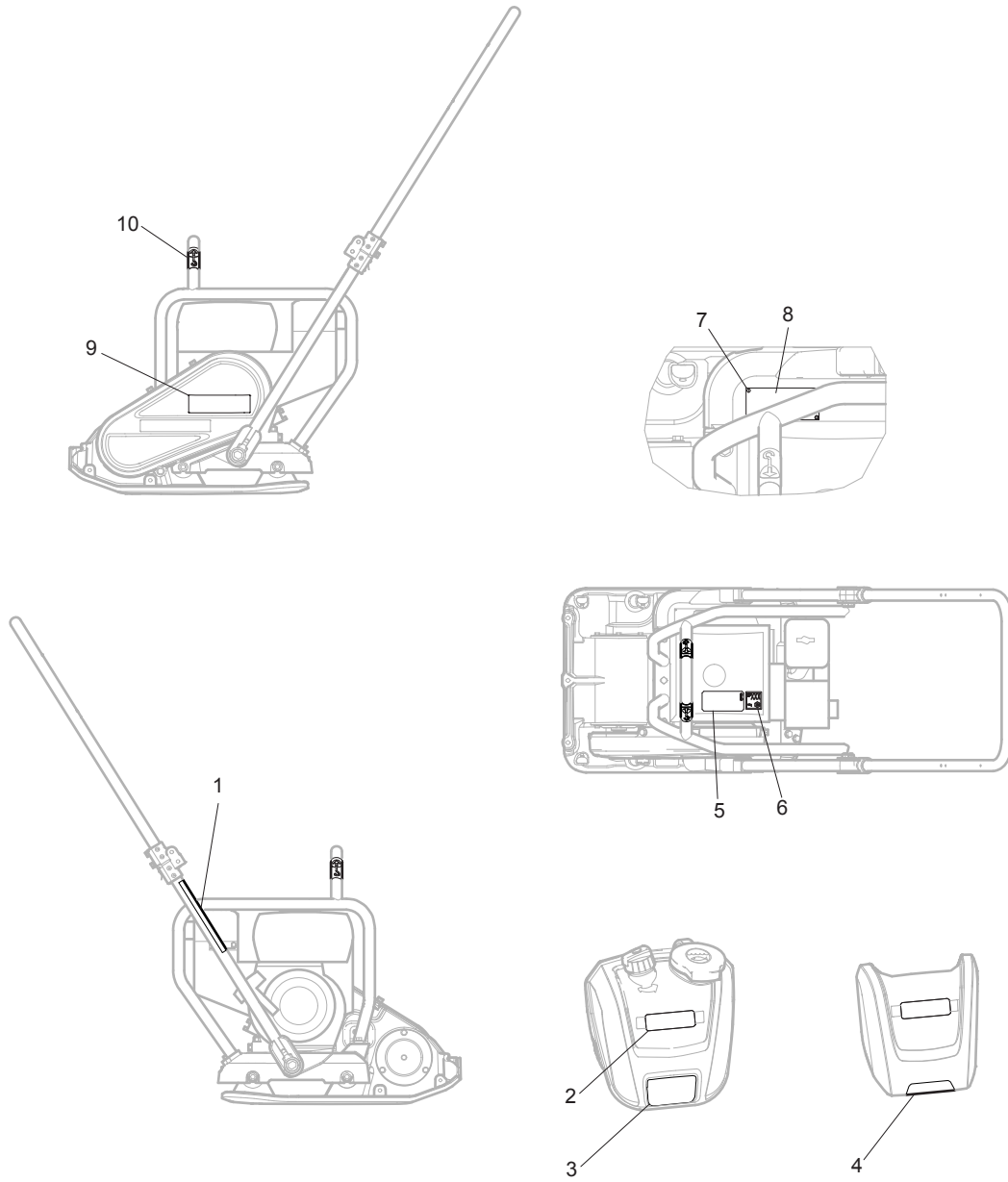
No.	Description	Remark	Quantity	Part number
1	Screw	M12 x 50 mm	2	4700 5080 32
2	Sleeve		2	4812 0707 33
3	Shock absorber		2	4700 3918 22
4	Handle		1	4812 0707 17
5	Handle	Upper	1	4812 0707 18
6	Bracket		2	4812 0707 21
7	Sleeve		2	4812 0707 19
8	Knob		2	4812 0707 20
9	Washer	5.3 x 10 x 1 0.21 x 0.39 x 0.04 in.	2	-
10	Retainer ring	4.8 x 7 x 0.6 mm 0.18 x 0.26 x 0.02 in.	2	4700 1500 01

Vibration damped handle



No.	Description	Remark	Quantity	Part number
1	Washer	6.4 x 18 x 1.6 mm A2T 0.25 x 0.71 x 0.06 in. A2T	16	-
2	Bracket		2	4700 3930 79
3	Shock absorber		2	4700 3918 24
4	Bracket		2	4700 3930 78
5	Screw	M5 x 10 mm A2K	8	-
6	Jointing nut	M6 x 30 mm 8.8	8	-
7	Screw	M6 x 12 mm 10.9 A2T	16	-
8	Handle	Old version	1	4700 3918 26
9	Handle	New version, use together with new standard handles.	1	3382 0111 79

Labels



No.	Description	Remark	Quantity	Part number
1	Label	Start instruction	1	4700 3947 04
2	Product label	"Atlas Copco"	2	3382 0100 40
3	Product label	"LF 75"	1	3382 0101 94
4	Product label	"LF 75"	1	3382 0101 90
5	Label	Assembly	1	4700 3947 08
6	Noise level label		1	4700 7912 90
7	Drive screw		4	-
8	Data plate		1	-
9	Product label	"LF 75"	1	3382 0101 51
10	Label	Lift point	1	4700 3575 87

Kits

One year service kit, Honda

One year service kit

Part number 3382 1000 01

Description	Remark	Quantity	Part number
Air filter		5	4700 2393 23
Gasket	For oil dipstick.	1	4700 2383 03
V-belt	See section "Engine installation"	1	4700 3956 58
Starting rope		1	4700 2393 74
Spark plug		1	4700 9248 42
Gasket	For valve cover.	1	4700 2383 01

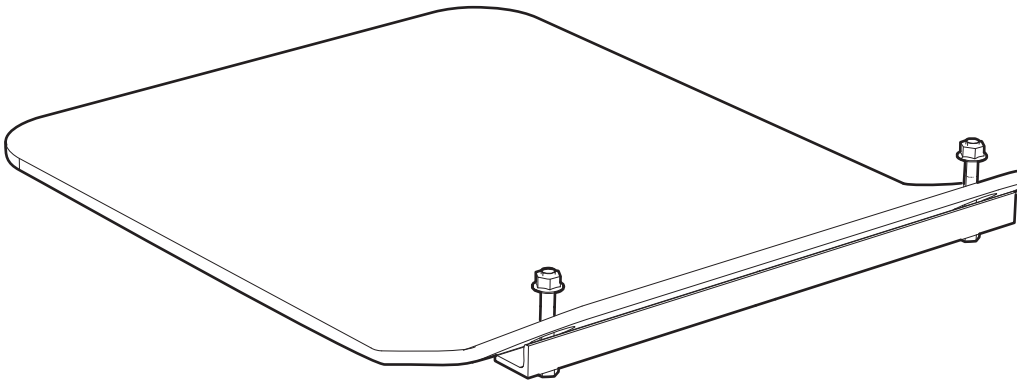
Shock absorber repair kit

Description	Remark	Quantity	Part number
Shock absorber repair kit		1	3382 1000 06
Shock absorber	For ground plate See section "Ground plate installation".	4	4700 2823 73
Square taper washer	See section "Ground plate installation".	4	4700 7927 25
Nut	M10 A3K See section "Ground plate installation".	8	-
Shock absorber	For handle See section "Handle, standard".	2	4700 3918 22
Screw	M12 x 50 mm 8.8 A3K See section "Handle, standard".	2	-

Eccentric element repair kit

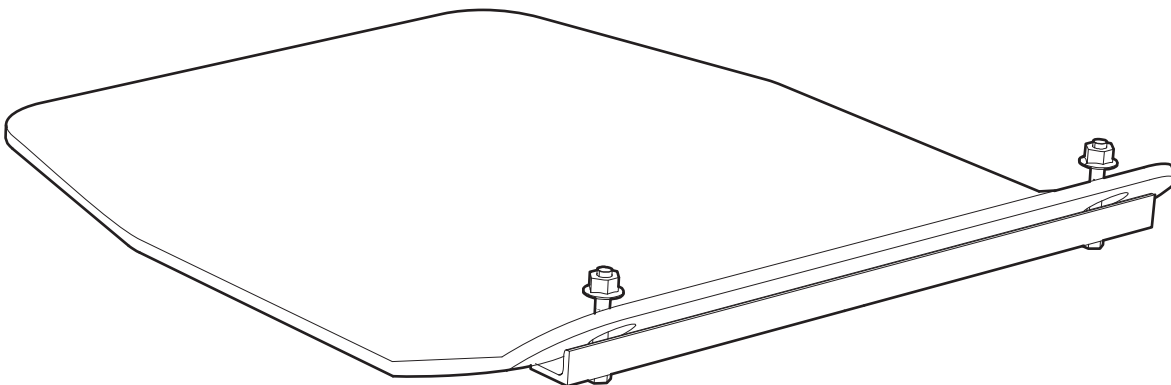
Description	Remark	Quantity	Part number
Eccentric element repair kit		1	3382 1000 04
Screw	M8 x 25 mm 8.8 A2K See section "Ground plate installation".	1	-
Washer	8.4 x 22 x 3 mm 0.33 x 0.87 x 0.12 in. HV300 See section "Ground plate installation".	1	-
Oil seal	See section "Ground plate installation".	1	4700 1631 05
Screw	M6 x 16 mm 8.8 A2K See section "Ground plate installation".	6	-
Bearing	See section "Ground plate installation".	2	4700 7927 11

Block paving plate kit 420 mm (16.5 in.)



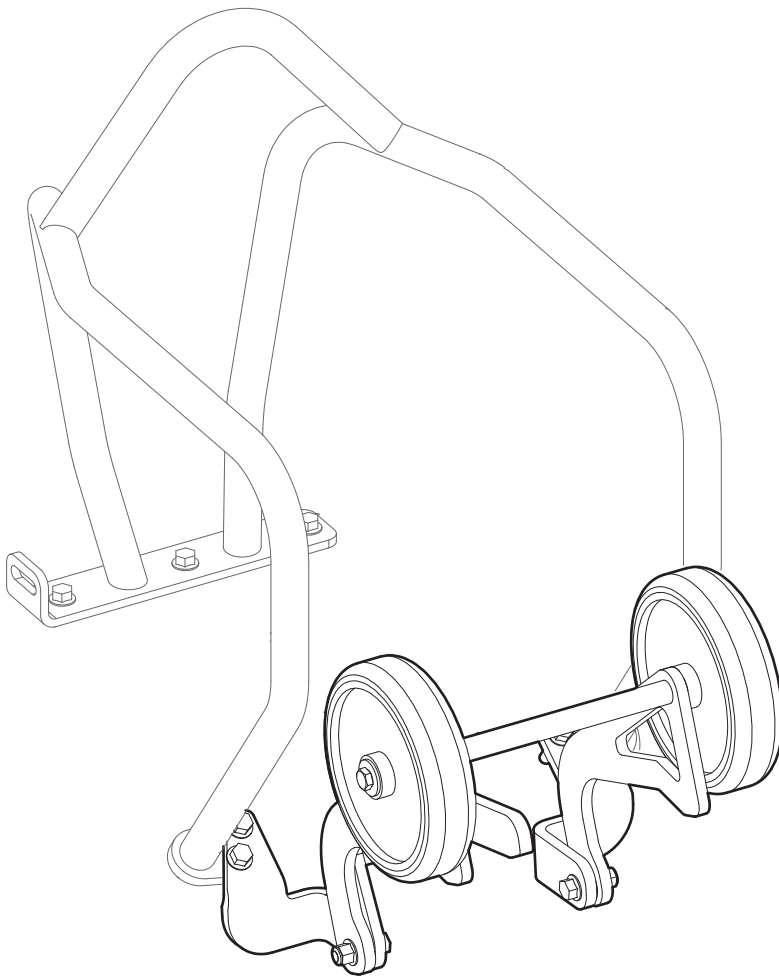
Description	Remark	Quantity	Part number
Block paving plate kit		1	4812 0701 71
Polyurethane plate	420 mm 16.5 in.	1	-
Bracket		1	-
Nut	M8 x 1.25 mm A2K	2	-
Washer	8.4 x 16 x 1.5 mm 0.33 x 0.63 x 0.06 in. 300 HV	2	-
Screw	M8 x 75 mm 8.8 A2K	2	-

Block paving plate kit 500 mm (19.7 in.)



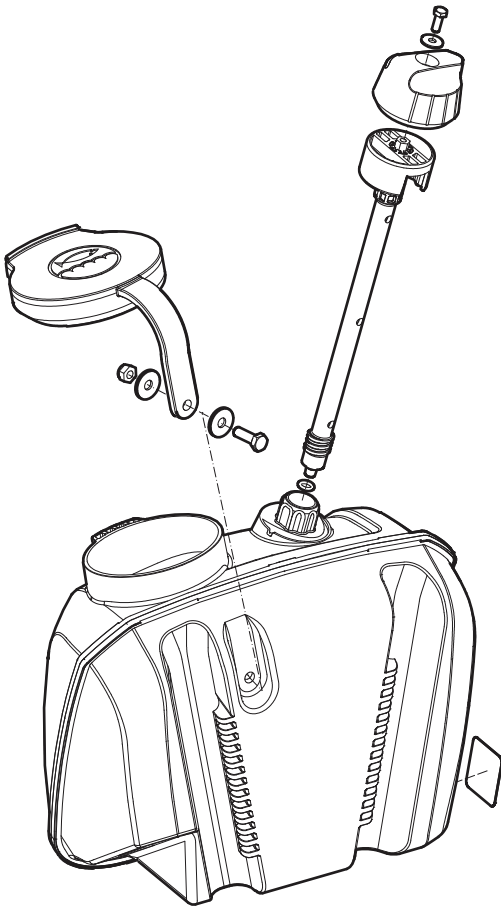
Description	Remark	Quantity	Part number
Block paving plate kit		1	4812 0701 72
Polyurethane plate	500 mm 19.7 in.	1	-
Bracket		1	-
Nut	M8 x 1.25 mm A2K	2	-
Washer	8.4 x 16 x 1.5 mm 0.33 x 0.63 x 0.06 in. 300 HV	2	-
Screw	M8 x 75 mm 8.8 A2K	2	-

Transport device kit



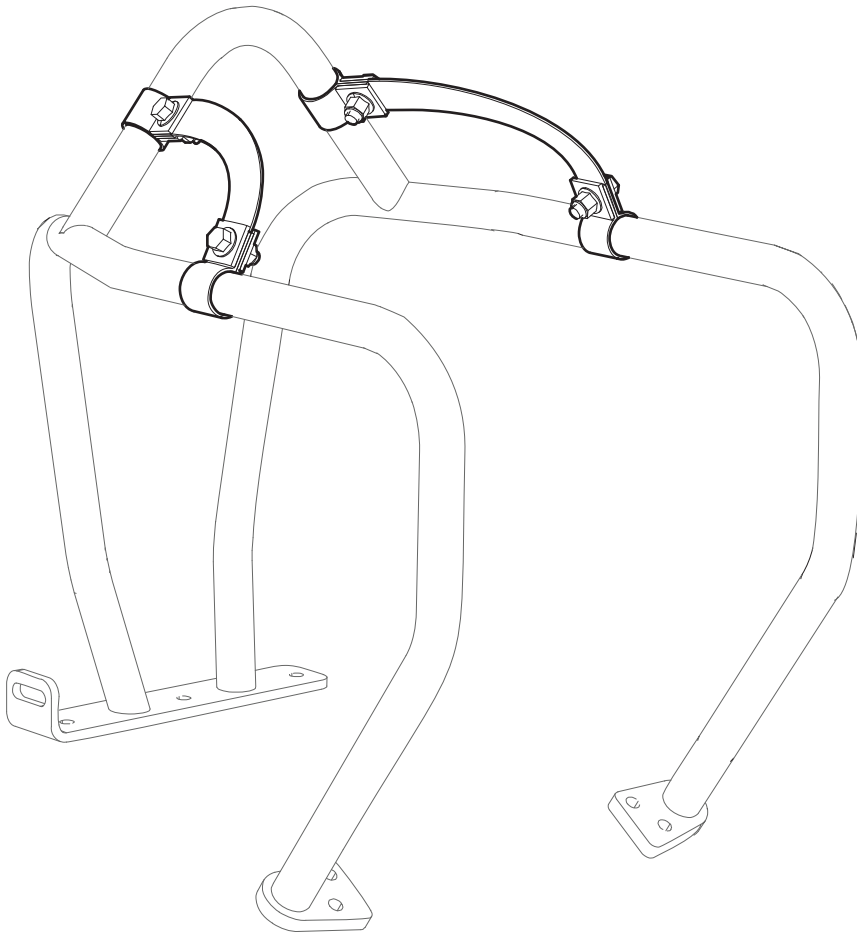
Description	Remark	Quantity	Part number
Transport device kit		1	3382 1001 79
Wheel bracket	Left	1	-
Wheel bracket	Right	1	-
Washer	8.4 x 25 x 2 mm 0.33 x 0.98 x 0.08 in.	4	-
Wheel fork		1	-
Screw	M8 x 30 mm 8.8 A2K	2	4700 5005 06
Nut	M8 A2K	2	-
Wheel		2	-
Screw	M8 x 12 mm 8.8 A2K	2	-
Shock absorber		1	4700 3853 87
Hook		1	4812 0704 71
Nut	M10	1	-
Washer	10.5 x 22 x 2 mm 0.41 x 0.87 x 0.08 in.	1	-
Screw	M10 x 20 mm 8.8 FZB	1	-
Screw	M8 x 25 mm 8.8 A2K	4	-
Screw	M8 x 35 mm 8.8 A2K	4	-

Sprinkler system kit



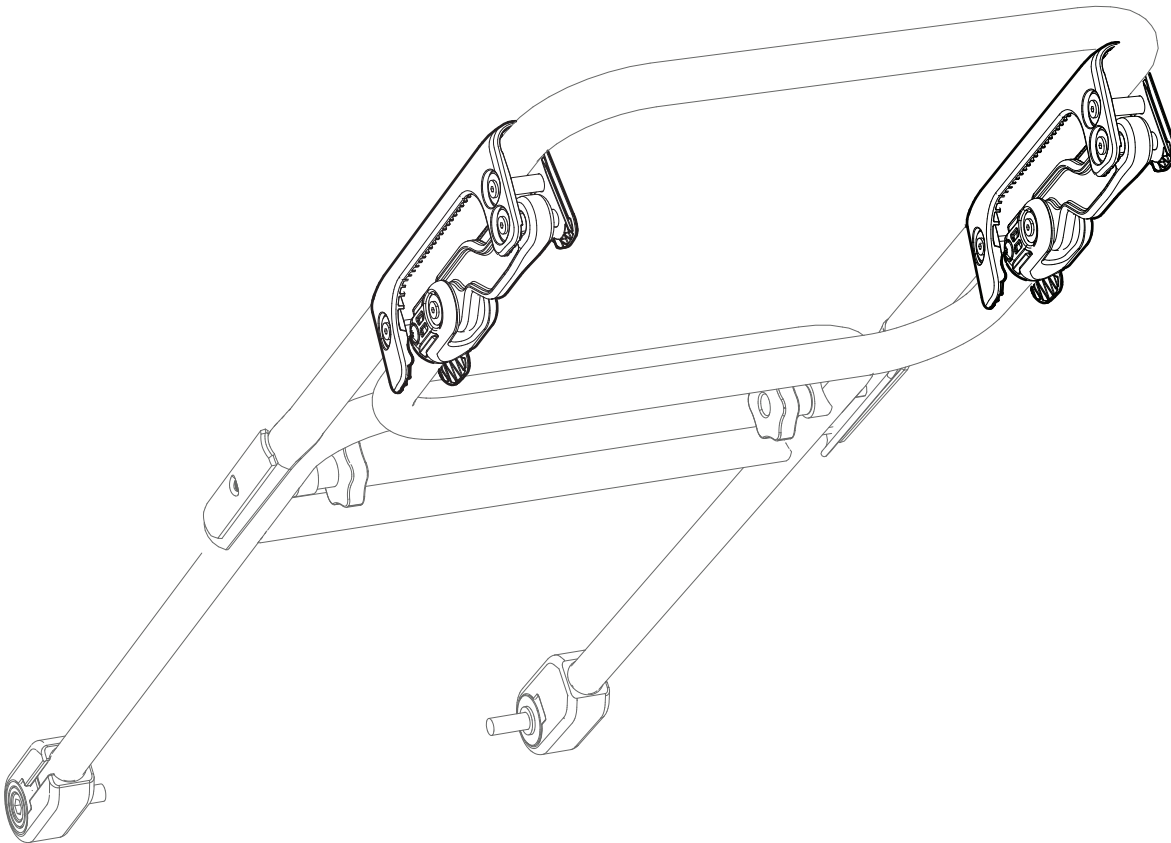
Description	Remark	Quantity	Part number
Sprinkler system kit		1	3382 0102 15
Water tank		1	-
Rod		1	-
Handle		1	-
Washer	8.4 x 25 x 2 mm 0.33 x 0.98 x 0.08 in.	2	-
Screw	M8 x 25 mm 8.8 A2K	1	-
Nut	M8 -8 DIN985	1	-
Washer	6.4 x 18 x 1.6 mm 0.25 x 0.71 x 0.06 in.	1	-
Screw	M6 x 16 mm 8.8 A2K	1	-
Cap		1	-
Label		1	-
O-ring	8 x 3 mm 0.31 x 0.12 in. (70 shore)	1	-
Label		1	-

Fork lifting device kit



Description	Remark	Quantity	Part number
Fork lifting device kit		1	4812 0701 73
Strap		1	-
Screw		4	-
Square washer	8.4 x 26 x 4 mm 0.33 x 1.02 x 0.16 in. 300 HV	8	-
Nut	M8 x 1.25 mm A2K	8	-

Vibration damped handle kit



Description	Remark	Quantity	Part number
Vibration damped handle kit		1	3382 1001 82
Bracket		2	-
Nut	M6 x 30 mm 8.8	8	-
Screw	M6 x 12 mm 10.9 A2T	16	-
Shock absorber		2	-
Bracket		2	-
Handle		1	-
Screw	M5 x 10 mm A2K	8	-
Washer	6.4 x 18 x 1.6 mm 0.25 x 0.71 x 0.06 in. A2T	16	-

Any unauthorized use or copying of the contents or any part thereof is prohibited.
This applies in particular to trademarks, model denominations, part numbers, and
drawings.

© 2013 Atlas Copco Construction Tools AB | No. 9800 1122 01b | 2013-03-01

Atlas Copco

www.atlascopco.com